

## TWINFLEX® HIPOINT SOUNDER

### DESCRIPTION

The Twinflex 2-Wire Hipoint Sounder is an industrial style sounder that has the option of being externally fitted if required. The device is fitted with an integral sounder capable of providing one of 3 different tones and operating at 65 or 90dB dependant on programming.

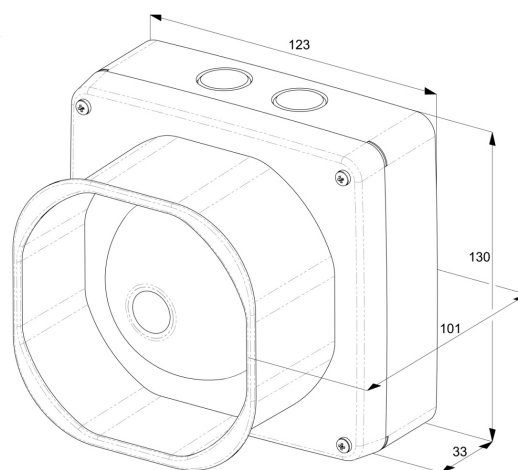
This sounder is compatible with Fike's Twinflex range of control panels and may be installed on the same zone as the Multipoint detector/sounder and associated Twinflex devices. Its operating parameters are configured using a bank of DIL switches on the rear of the device.



Data Sheet

### SPECIFICATIONS

Dimensions:	Width x Height: 123mm x 130mm Depth: Standard inc base 101mm
IP Rating:	IP55
Operating Temperature:	-10°C to +50°C
Voltage Range:	20 to 35V DC
System Compatibility:	Twinflex: V2 onwards TwinflexPro: V1 onwards
Sounder Volume:	Normal: 65dB+ High: 90dB+
Zone Current @ 24VDC:	Quiescent: 0.185mA Active: Low Sounder 12.619mA Active: High Sounder 14.5mA
SLU Rating:	Low Sounder: 2 High Sounder: 2.5
DLU Rating:	Low Sounder: 13 High Sounder: 14.5



(All measurements shown are in millimetres)

### APPROVALS



331h/04

Approved to EN54 Part 3

### ORDERING INFORMATION

Fike P/N	Description
302 0004	Twinflex Hipoint

### TERMINAL DEFINITIONS

<b>+ VE</b>	(+) Zone In / Out	<b>- VE</b>	(-) Zone In / Out
<b>+ VE</b>	(+) Zone In / Out	<b>- VE</b>	(-) Zone In / Out

Form No. FST.2.19.01-1

## DIL SWITCH SETTINGS

		1	2	3	4
<b>End Of Line</b>	Enabled	ON			
	Disabled	OFF			
<b>Sound Levels</b>	High		ON		
	Normal		OFF		
<b>Sound Pattern</b>	Sound OFF			ON	ON
	Dual Tone – 800 & 900 Hz			ON	OFF
	Slow Whoop Up – 500 to 1200 Hz			OFF	OFF
	Dual Tone French – 440 & 550 Hz			OFF	ON

