

TWINFLEX® LOW PROFILE/DOMED FLASHPOINT SOUNDER/STROBE

DESCRIPTION

The Twinflex 2-Wire Flashpoint Sounder/Strobe is a low profile sounder /strobe that has the option of being fitted with a domed lens if required (302 0022). The device is fitted with an integral sounder capable of providing one of 3 different tones and operating at 65 or 90dB dependant on programming. A synchronized LED strobe output is also included to provided a visual indication of an alarm activation.

This sounder/strobe is compatible with Fike's Twinflex range of control panels and may be installed on the same zone as the Multipoint detector/sounder and associated Twinflex devices. Its operating parameters are configured using a bank of DIL switches on the rear of the device.



SPECIFICATIONS

Dimensions:	Diameter: 105mm Depth: Low Profile 45mm Depth: Domed 62mm
Operating Temperature:	-10°C to +50°C
Voltage Range:	20 to 35V DC
System Compatibility:	Twinflex: V2 onwards TwinflexPro: V1 onwards
Sounder Volume:	Normal: 65dB+ High: 90dB+
Strobe Operation:	Period: 1s Flash Duration: 15ms
Zone Current @ 24VDC:	Quiescent: 0.223mA Active: Low Sounder 15.00A Active: High Sounder 23.515mA Active: Strobe 5.52mA
SLU Rating:	Low Sounder: 2.5 High Sounder: 4 Strobe: 1
DLU Rating:	Low Sounder: 15 High Sounder: 24 Strobe: 5.5

APPROVALS



331h/02 and 331h/03

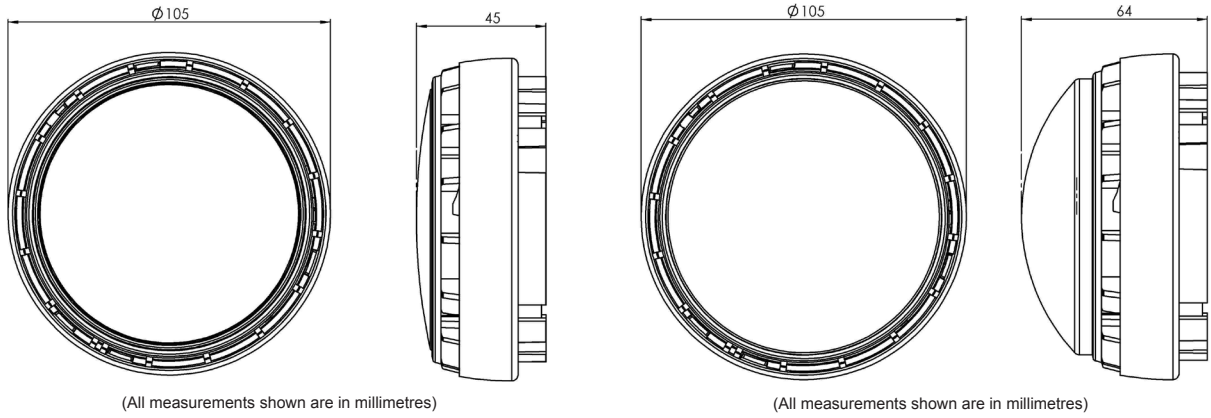
Approved to EN54 Part 3

ORDERING INFORMATION

Fike P/N	Description
302 0012	Twinflex Flashpoint – Low Profile
302 0022	Twinflex Flashpoint - Domed

Form No. FST.2.20.01-1

DEVICE DIMENSIONS



TERMINAL DEFINITIONS

+ Line In	(+) Zone In	- Remote LED	Not Used
+ Line Out	(+) Zone Out	+ Remote LED	Not Used
0V In	(-) Zone In	SCRN	Zone Screen In/Out
0V Out	(-) Zone Out		

DIL SWITCH SETTINGS

		1	2	3	4
End Of Line	Enabled	ON			
	Disabled	OFF			
Sound Levels	High		ON		
	Normal		OFF		
Sound Pattern	Sound OFF			ON	ON
	Dual Tone – 800 & 900 Hz			ON	OFF
	Slow Whoop Up – 500 to 1200 Hz			OFF	OFF
	Dual Tone French – 440 & 550 Hz			OFF	ON

