

ADDRESSABLE HIPOINT SOUNDER

DESCRIPTION

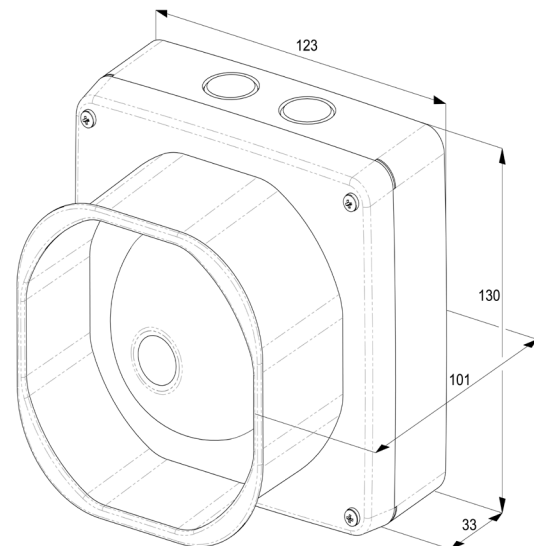
The Addressable Loop Hipoint Sounder is an industrial style sounder that has the option of being externally fitted if required. The device is fitted with an integral sounder capable of providing one of 7 different tones and operating at 65, 80 or 85dB(A) dependant on programming. Short circuit isolators are also built into the device in order to protect the system in the event of a cable fault.

This sounder is compatible with Fike's SITA200plus, Duonet and Quadnet intelligent control panels. Its operating parameters are configured using the panel's programming software and are stored within the Flash memory in the device. This on-board intelligence allows each device to report and respond directly to the control panel without having to wait until it is polled. This enhanced digital protocol means less information is needed to be sent between the device and the host control panel, resulting in faster, more reliable communication.



SPECIFICATIONS

| | |
|-----------------------------|---|
| Dimensions: | Width x Height: 123mm x 130mm Depth: Standard inc base 101mm |
| Operating Temperature: | -10°C to +50°C. |
| Voltage Range: | 24V to 42V DC |
| Sounder Volume: | Low: 65dB(A)+ Medium: 80dB(A)+ High: 85dB(A) |
| IP Rating: | IP33C |
| System Compatibility: | SITA200plus: V2.30 onwards Duonet and Quadnet: V1 onwards |
| Battery Current @ 24V DC: | Quiescent: 0.18mA Active: Low Sounder 3.59mA Active: Med Sounder 7.99mA Active: High Sounder 11.16mA |
| Device Loading Unit Rating: | Low Sounder: 2 Med Sounder: 4 High Sounder: 5.5 |



(All measurements shown are in millimetres)

ORDERING INFORMATION

| Fike P/N | Description |
|----------|-------------|
| 323 0001 | Hipoint |

TERMINAL DEFINITIONS

| | | | |
|-----------------|--------------|---------------|--------------|
| + VE IN | (+) Loop In | 0V IN | (-) Loop In |
| + VE OUT | (+) Loop Out | 0V OUT | (-) Loop Out |

APPROVALS



331j/05

Approved to: EN54 Part 3 and EN54 Part 17

Form No. FST.2.03.01-1

(This page is left blank intentionally)

